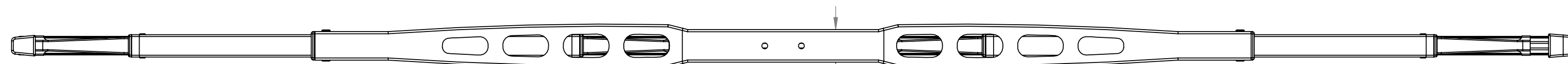
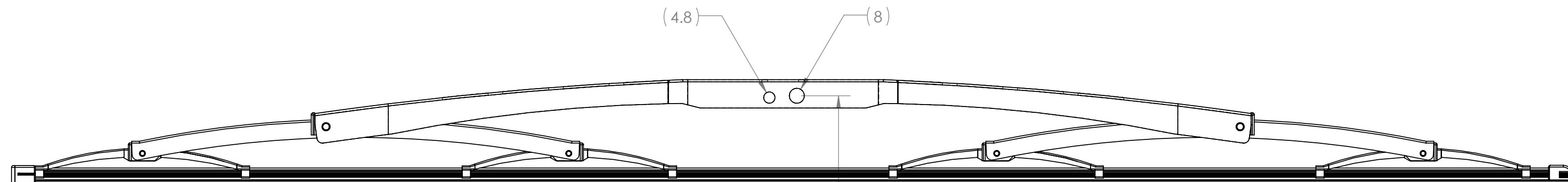


| REV | DATE    | DESCRIPTION  |
|-----|---------|--|
| 0   | 8-3-18  | Initial Release                                      |
| A   | 8-15-18 | ECR 380, 800±5 was 800±3, 13.8 was 14, 4.8 was added |
|     |         |  |
|     |         |  |



(13.8)



(4.8)

(8)

(50.8)

[31.5±.2]  
800±5

**NOTES:**  
INTERCHANGEABLE WITH A 34" WIPER BLADE

**PROPRIETARY AND CONFIDENTIAL**  
THE INFORMATION CONTAINED IN THIS DRAWING IS THE SOLE PROPERTY OF WEXCO INDUSTRIES. ANY REPRODUCTION IN PART OR AS A WHOLE WITHOUT THE WRITTEN PERMISSION OF WEXCO INDUSTRIES IS PROHIBITED.

|   |              |         |
|---|--------------|---------|
| UNLESS OTHERWISE SPECIFIED:                       | NAME         | DATE    |
| DIMENSIONS ARE IN MM                              | DRAWN DP     | 8-3-18  |
| 3rd ANGLE PROJECTION                              | CHECKED JH   | 8-15-18 |
|   | ENG APPR. JH | 8-15-18 |
| INTERPRET GEOMETRIC TOLERANCING PER: ISO 2768-1 M | COMMENTS:    |         |
| MATERIAL Stainless Steel                          |              |         |
| FINISH Matte Black                                |              |         |
| APPLICATION                                       |              |         |

**WEXCO**  
INDUSTRIES

TITLE:  
800mm Wiper Blade

|               |                       |              |
|---------------|-----------------------|--------------|
| SIZE <b>C</b> | DWG. NO. 0120532SSM14 | REV A        |
| SCALE: 1:2    | WEIGHT:               | SHEET 1 OF 1 |