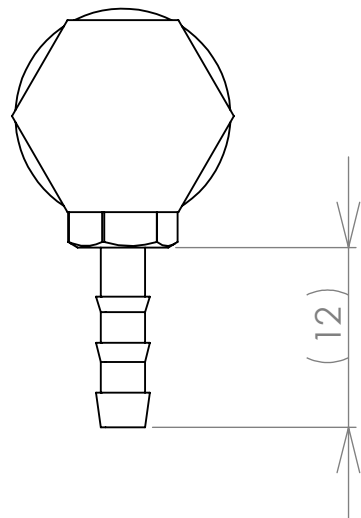
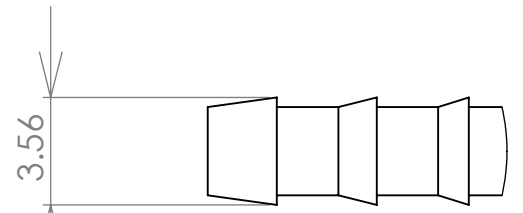


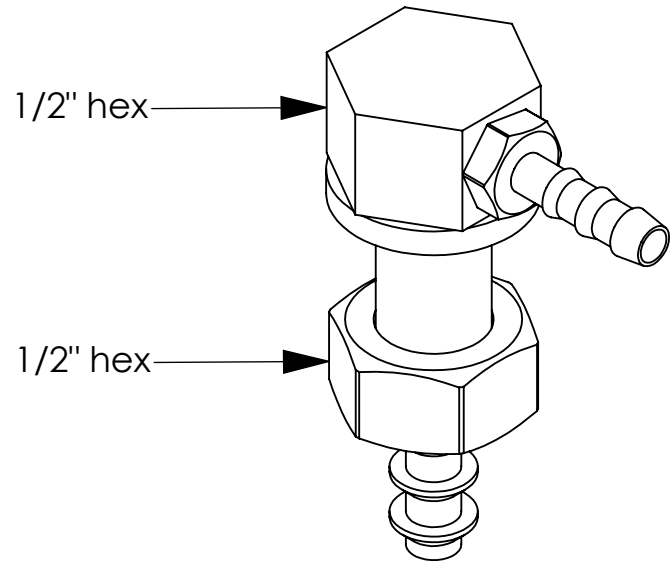
REV	DATE	DESCRIPTION
B	4-26-07	Redrawn
C	4-30-07	added hose size ranges
D	6-30-08	mat'l was nylon 66, SS nipple



for 1/16" - 1/8" ID hose

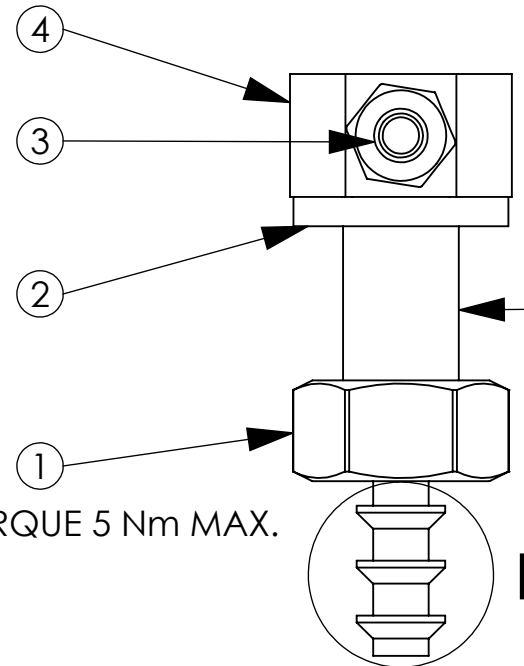


DETAIL A
SCALE 4 : 1



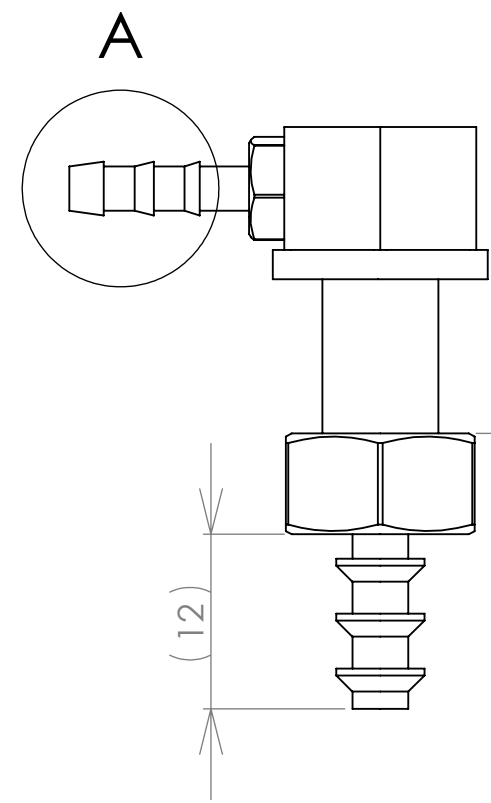
1/2" hex

1/2" hex

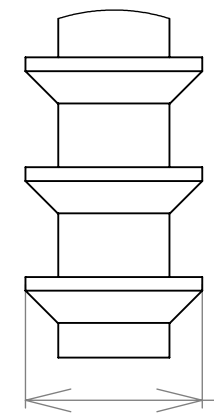


5/16" - 18 UNC thd.

5/16"-18: TORQUE 5 Nm MAX.



max. clamping length



5.84 for 1/8" - 3/16" ID hose

DETAIL B
SCALE 4 : 1

item	part number	description	material	qty
4	2002504	bulkhead fitting body	Nylon 66 30% GF (D)	1
3	2002503	nipple	CR3601, Ni plate (D)	1
2	2002502	gasket	neoprene	1
1	2002501	5/16" - 18 UNC hex nut	stainless steel	1

UNLESS OTHERWISE SPECIFIED:

DIMENSIONS ARE IN MM
TOLERANCES PER ISO 2768-1
CLASS M
3rd ANGLE PROJECTION

INTERPRET GEOMETRIC TOLERANCING PER: ISO 2768-1 M	MATERIAL	see table
FINISH		DNA
APPLICATION		wet arms

	NAME	DATE
DRAWN	MP	4-26-07
CHECKED	MP	4-26-07
ENG APPR.	MP	4-26-07

WEXCO Industries

TITLE:
Bulkhead fitting kit

SIZE	DWG. NO.	REV
B	200250	D

SCALE: 2:1 WEIGHT: SHEET 1 OF 1

PROPRIETARY AND CONFIDENTIAL
THE INFORMATION CONTAINED IN THIS DRAWING IS THE SOLE PROPERTY OF WEXCO INDUSTRIES. ANY REPRODUCTION IN PART OR AS A WHOLE WITHOUT THE WRITTEN PERMISSION OF WEXCO INDUSTRIES IS PROHIBITED.