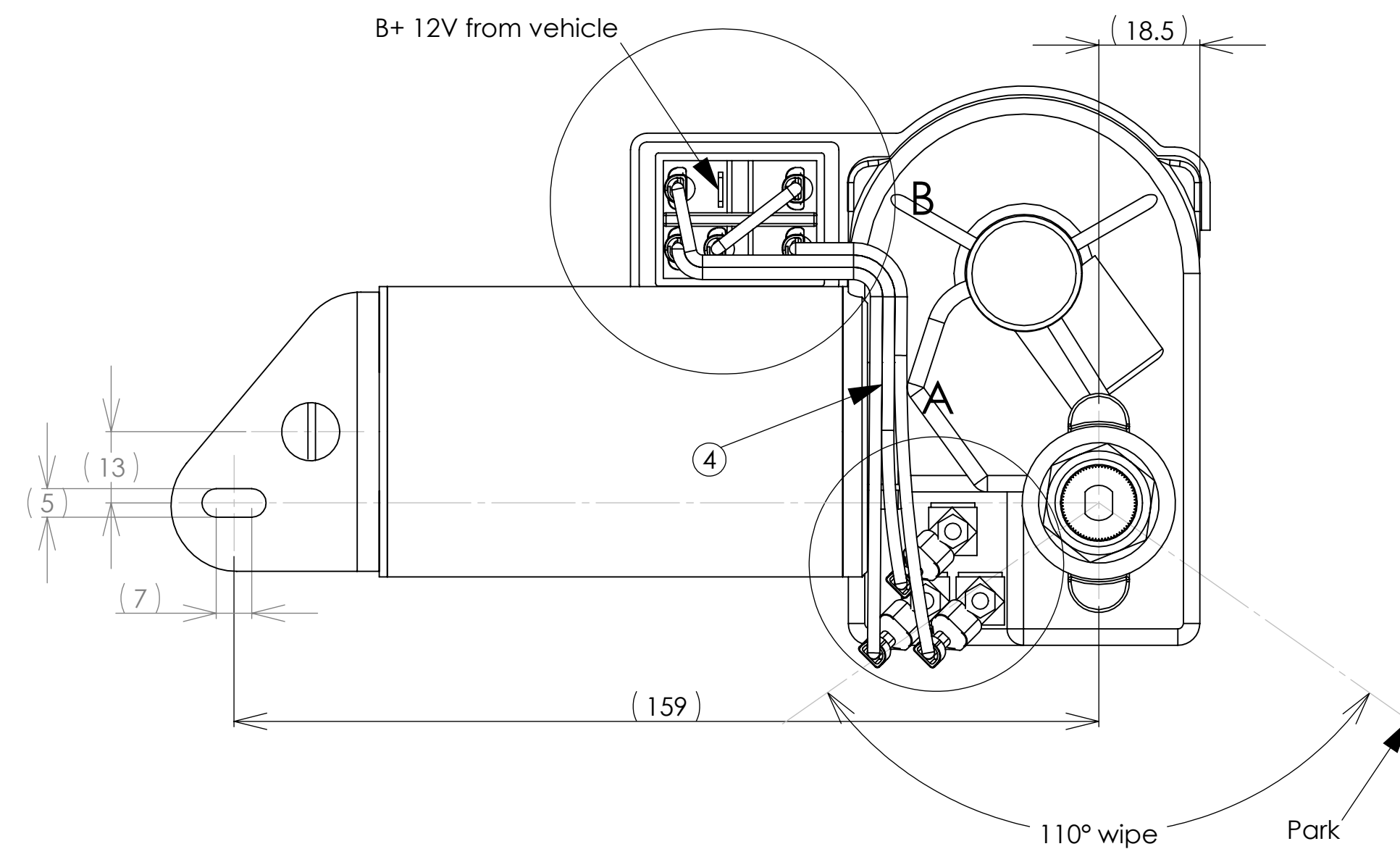
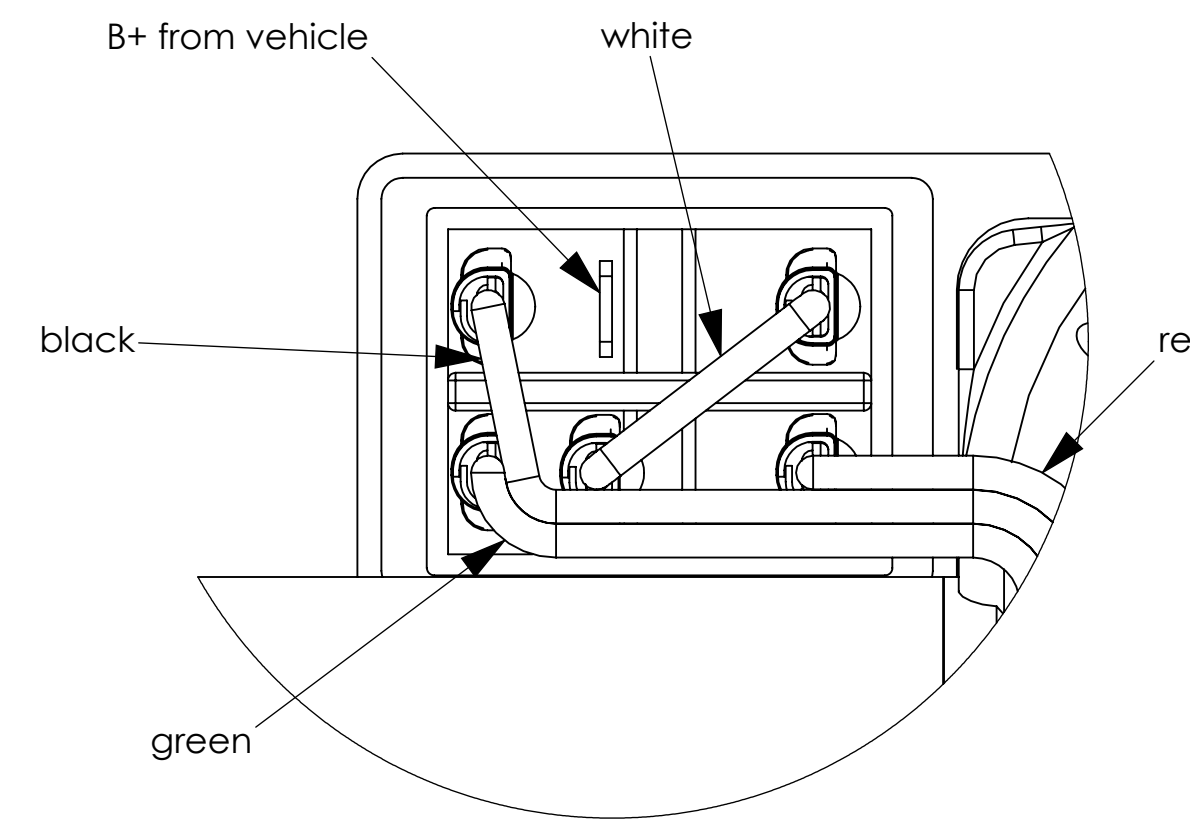
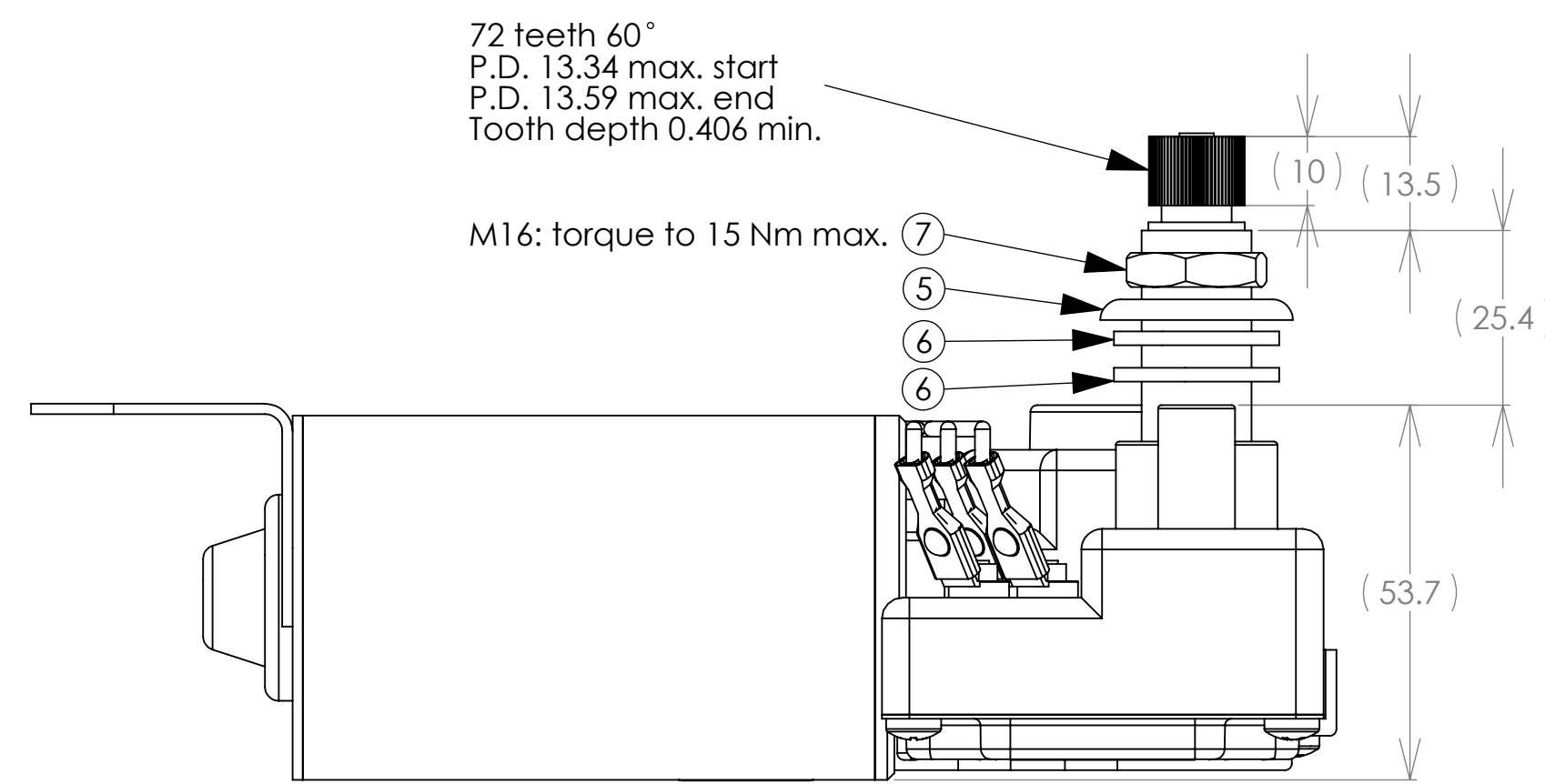


REV	DATE	ECR	DESCRIPTION
A	8-07-15	270	Initial Release
B	6-14-16	270	Added SC40401001

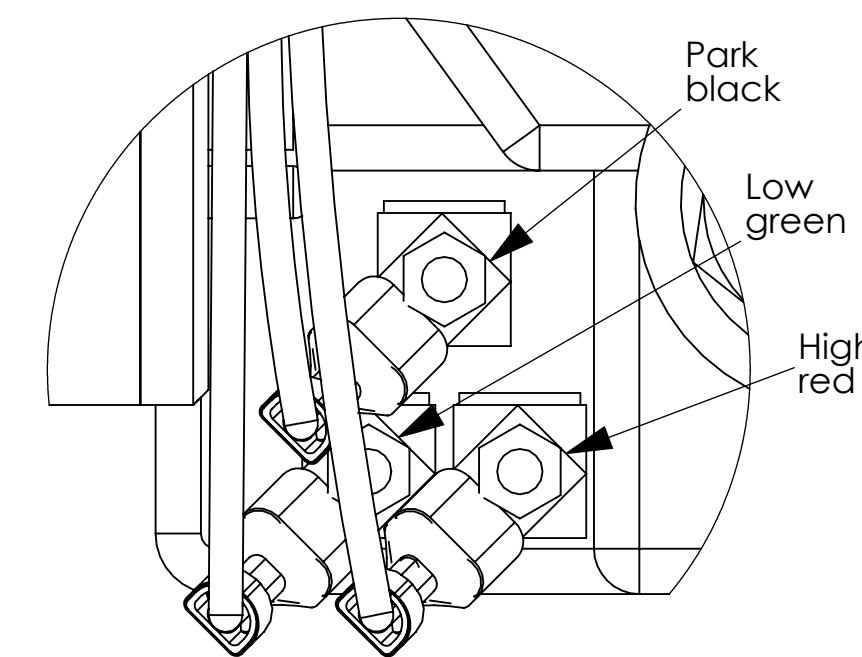


Notes

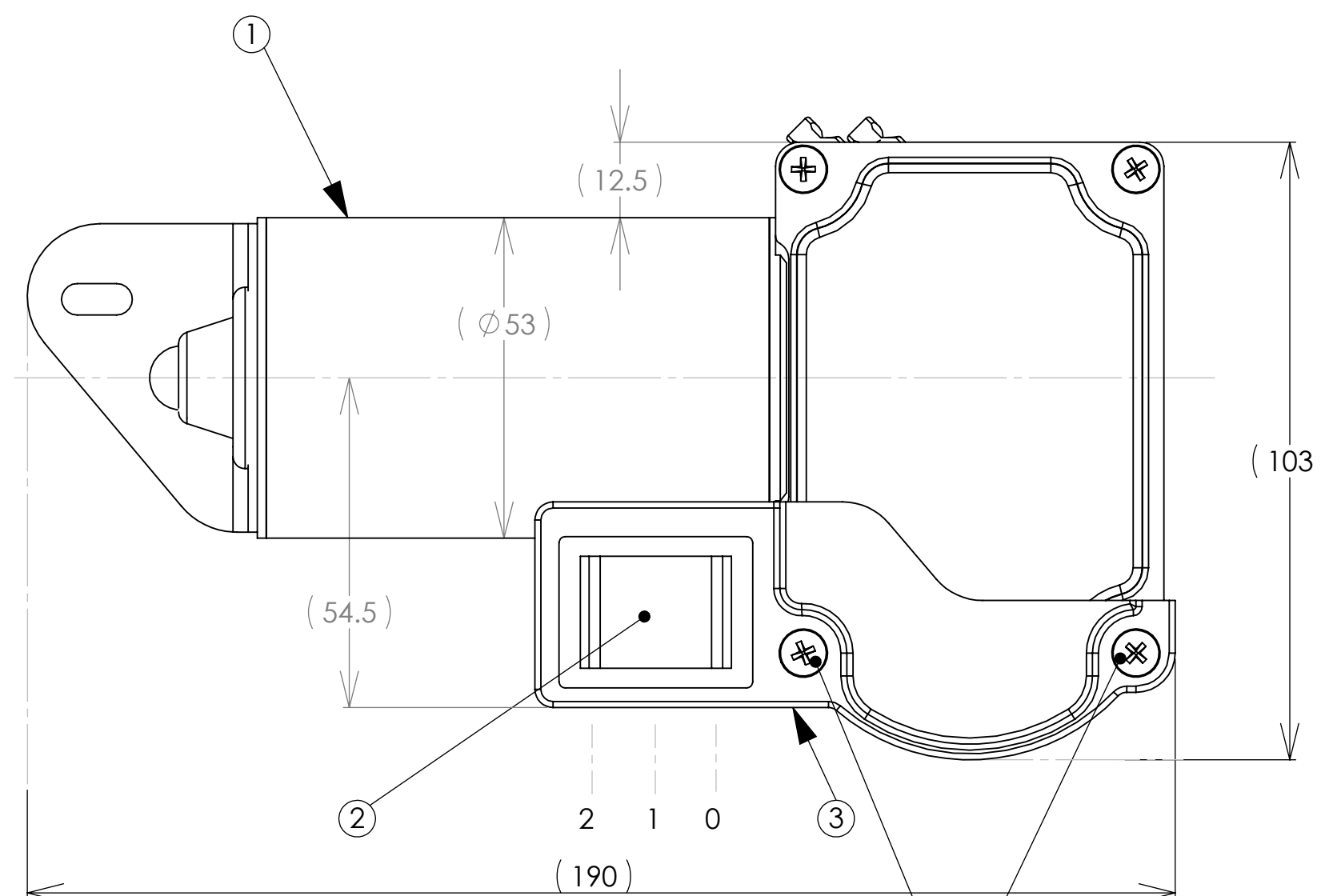
1. Motor supply voltage: 13.5 V
2. speed, no load (warm): 40/60 ± 10%
3. current, no load (warm): 2/3 amps
4. min. stall torque: 12 Nm
5. max. stall current: 12 amps
6. fuse motor circuit at 12 amps min.
7. switch uses 1/4" male blade terminals
8. Items 5, 6 & 7 available as kit 400300 for service
9. Items 2, 3, & 4 available as kit 400258 for service



DETAIL B
SCALE 2 : 1



DETAIL A
SCALE 2 : 1



Remove original screw and replace with SC40401001 torque to 1.0Nm - 1.4Nm (2x)

POS.	QTY.	PART NO.	DESCRIPTION
8	2	SC40401001	M4x0.7 x 10 pan head screw
7	1	400297	M16 x 1 brass hex nut
6	2	400299	Rubber washer
5	1	400298	Spacer
4	1	HA01640001	Wire harness
3	1	BK06220001	Bracket
2	1	SX2256	Switch, 2 speed
1	1	4R1.12.R110D	Y Motor 1", 12V 110 Degree R/H

UNLESS OTHERWISE SPECIFIED:	NAME	DATE	DESCRIPTION
DRAWN	JP	8-7-15	<p>WEXCO Industries</p> <p>TITLE: Oscillating wiper motor</p>
CHECKED	JH	8-11-15	
ENG APPR.	JH	8-11-15	
INTERPRET GEOMETRIC TOLERANCING PER:	COMMENTS:		
MATERIAL	DNA		
FINISH	DNA		
APPLICATION			

SIZE | PART NO. | REV
D | 4R1.12-19S2.R110 | **B**
 SCALE: 1:1 | WEIGHT: | SHEET 1 OF 1

REV
D 4R1.12-19S2.R110