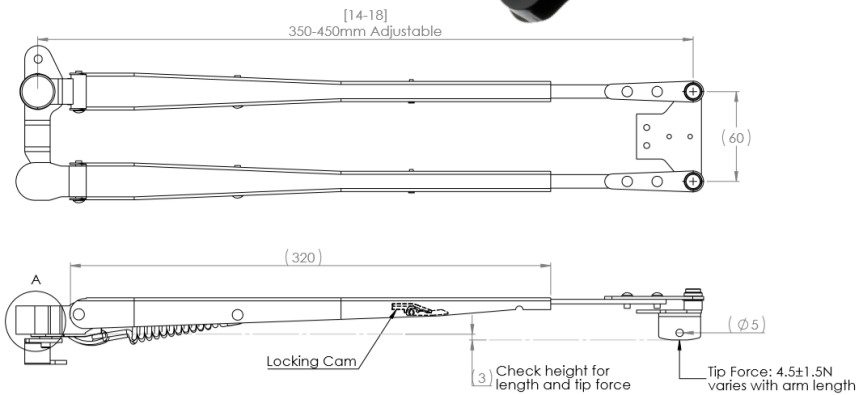




## Pantograph Wiper Arms

Adjustable Length



**MATERIAL:** 304 stainless steel

**COATING:** Black powder coated arms are standard. Optional non-coated upon request

**PIVOT ATTACHMENT:** 1/2" drum or DIN

**LENGTHS:** Adjustable per table below

**WET / DRY:** Dry arms are standard. Optional wet kits are available

**BLADE ATTACHMENT:** : 13.7mm saddle

### Pantograph Wiper Arms - Adjustable Lengths

PART NUMBER	SHAFT TYPE	LENGTH INCHES	LENGTH MM	COLOR	BLADE CONNECTION
200733DS	1/2" DRUM	11" - 14"	280 - 350	BLACK	SADDLE
200701DS	1/2" DRUM	14" - 18"	350 - 450	BLACK	SADDLE
200703DS	1/2" DRUM	20" - 24"	500 - 600	BLACK	SADDLE
200732DS	1/2" DRUM	26" - 32"	650 - 800	BLACK	SADDLE
200708DS	DIN	20" - 24"	500 - 600	BLACK	SADDLE
200712DS	DIN	26" - 32"	650 - 800	BLACK	SADDLE
<i>*(200712DS Requires optional slave pivot kit P/N SP30260003 - All other arms include link pictured above)</i>					
200713DS	DIN	32" - 36"	800 - 900	BLACK	SADDLE
200719DS	DIN	38" - 40"	950 - 1000	BLACK	SADDLE

[www.wexcoind.com](http://www.wexcoind.com)

customerservice@wexcoind.com

WEXCO Industries  
3 Barnet Road  
Pine Brook, New Jersey 07058

(800) 528-3048

200811r1

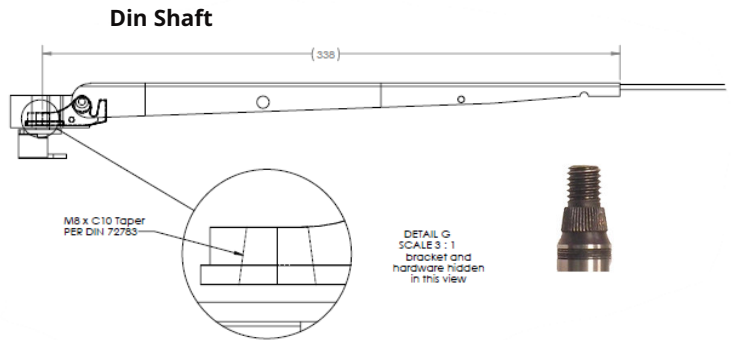
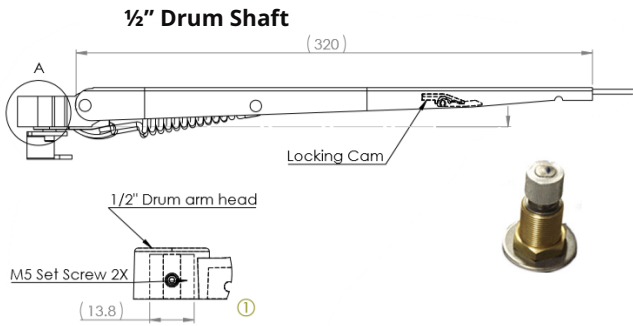


WELDALL MFG., INC.  
CERTIFIED TO ISO 9001:2015  
1000111

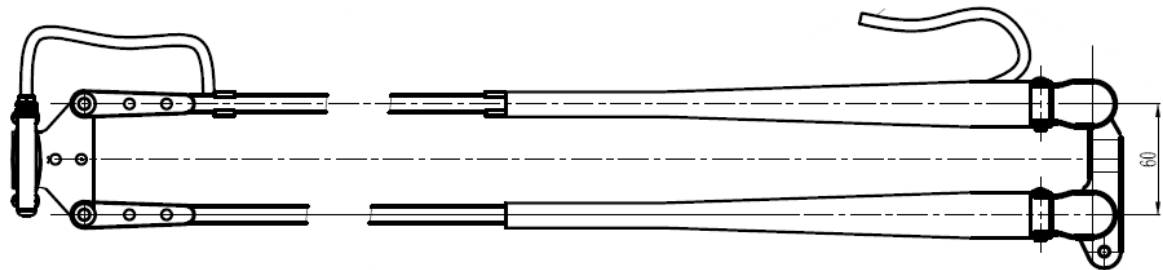
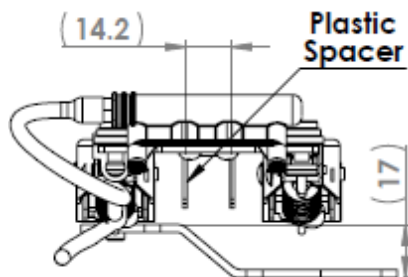


Association of  
Equipment Manufacturers

## Shaft Types



## Optional Wet Kit



### OPTIONAL WET KIT P/N WE19491

6 jet nozzle bolts to the  
 bridge plate

Kit includes nozzle, washer  
 fluid hose and hose clips

[www.wexcoind.com](http://www.wexcoind.com)

[customerservice@wexcoind.com](mailto:customerservice@wexcoind.com)

WEXCO Industries  
 3 Barnet Road  
 Pine Brook, New Jersey 07058

(800) 528-3048

200811r1



WELDALL MFG., INC.  
 CERTIFIED TO ISO 9001:2015  
 1000111



Association of  
 Equipment Manufacturers