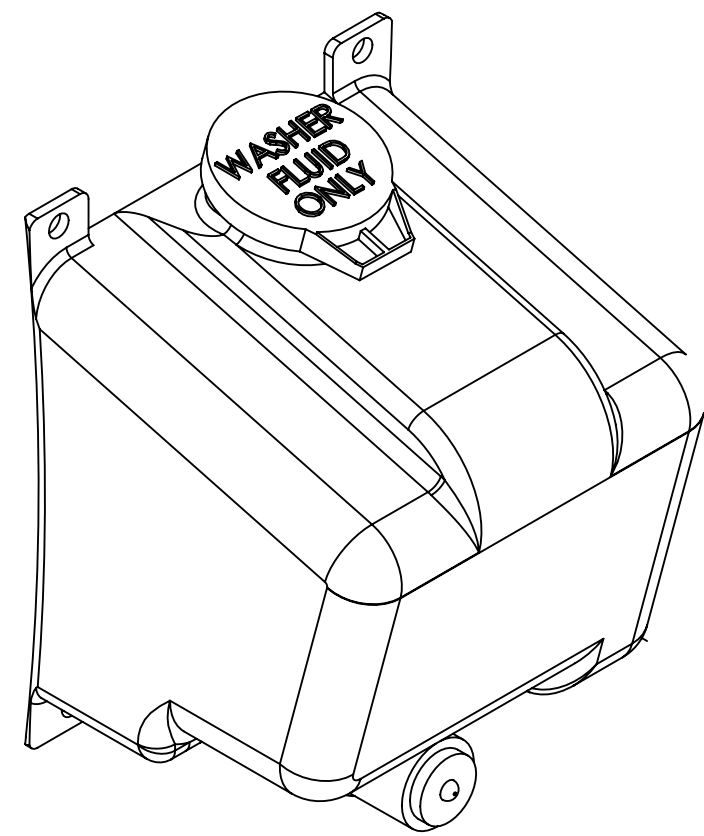
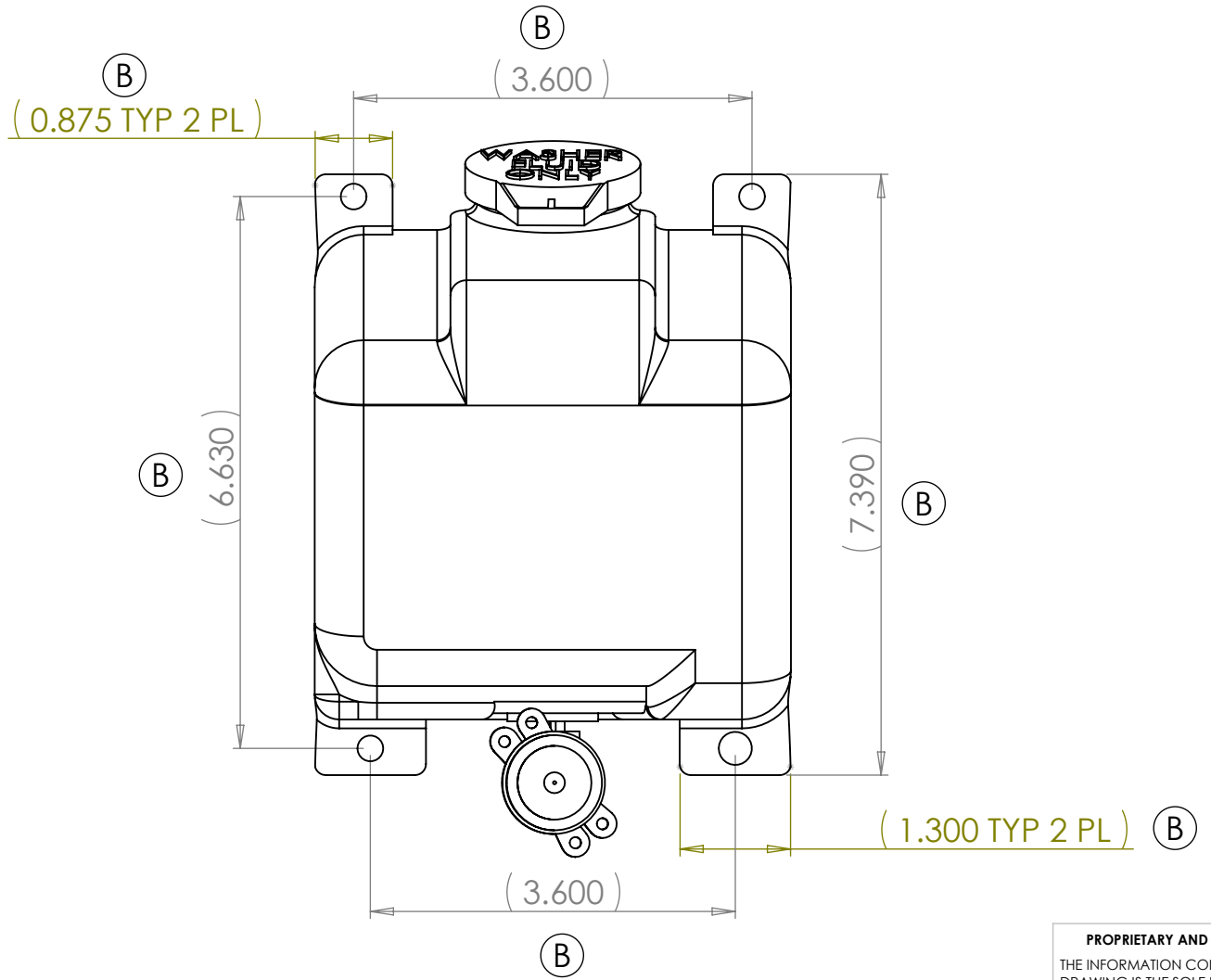
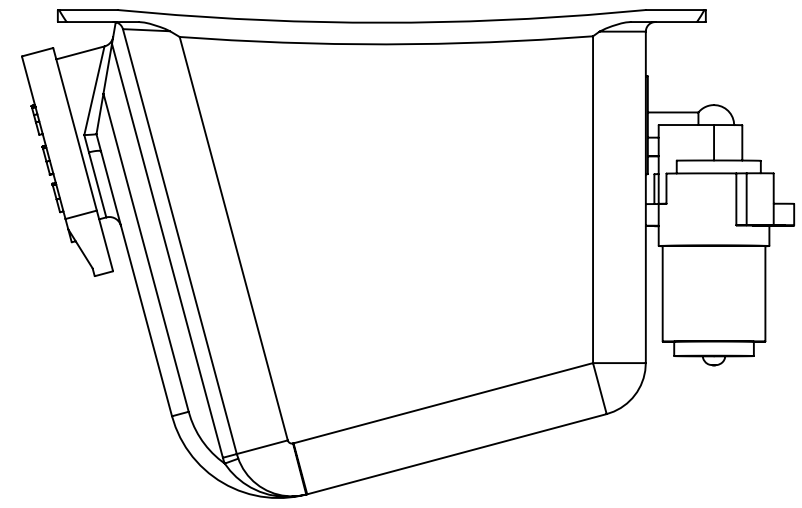
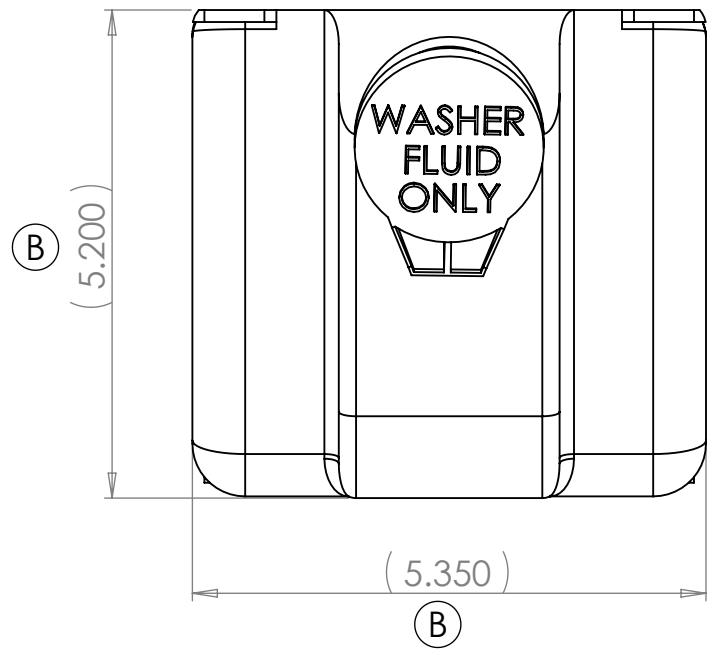


8 7 6 5 4 3 2 1

D  
C  
B  
A

D  
C  
B  
A



**PROPRIETARY AND CONFIDENTIAL**  
 THE INFORMATION CONTAINED IN THIS DRAWING IS THE SOLE PROPERTY OF WEXCO INDUSTRIES. ANY REPRODUCTION IN PART OR AS A WHOLE WITHOUT THE WRITTEN PERMISSION OF WEXCO INDUSTRIES IS PROHIBITED.

A		9/8/06	UNLESS OTHERWISE SPECIFIED: DIMENSIONS ARE IN INCHES TOLERANCES: ANGULAR: BEND ±1° THREE PLACE DECIMAL ±0.050	NAME	DATE	<b>WEXCO INDUSTRIES</b> TITLE: <b>HALF GALLON WASHER TANK</b> SIZE <b>B</b> DWG. NO. <b>400711</b> REV <b>B</b> SCALE: 1:2 WEIGHT: SHEET 1 OF 1	
B		1/30/12		DRAWN	H.C.		9/8/06
				CHECKED	B.S.		9/8/06
				ENG APPR.	H.C.		9/8/06
				MFG APPR.	H.C.		9/8/06
			Q.A.	J.C.	9/8/06		
Rev.		Date	INTERPRET GEOMETRIC TOLERANCING PER: <b>ISO</b>	COMMENTS: <b>REMOVE ALL BURRS.</b>			
APPLICATION			MATERIAL				
			FINISH				
			DO NOT SCALE DRAWING				

8 7 6 5 4 3 2 1