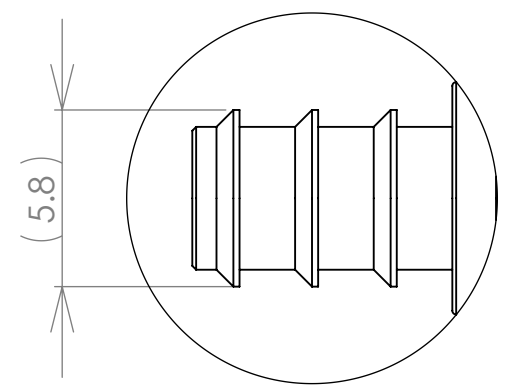
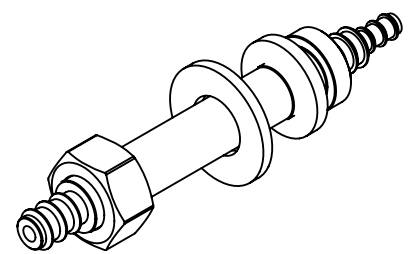
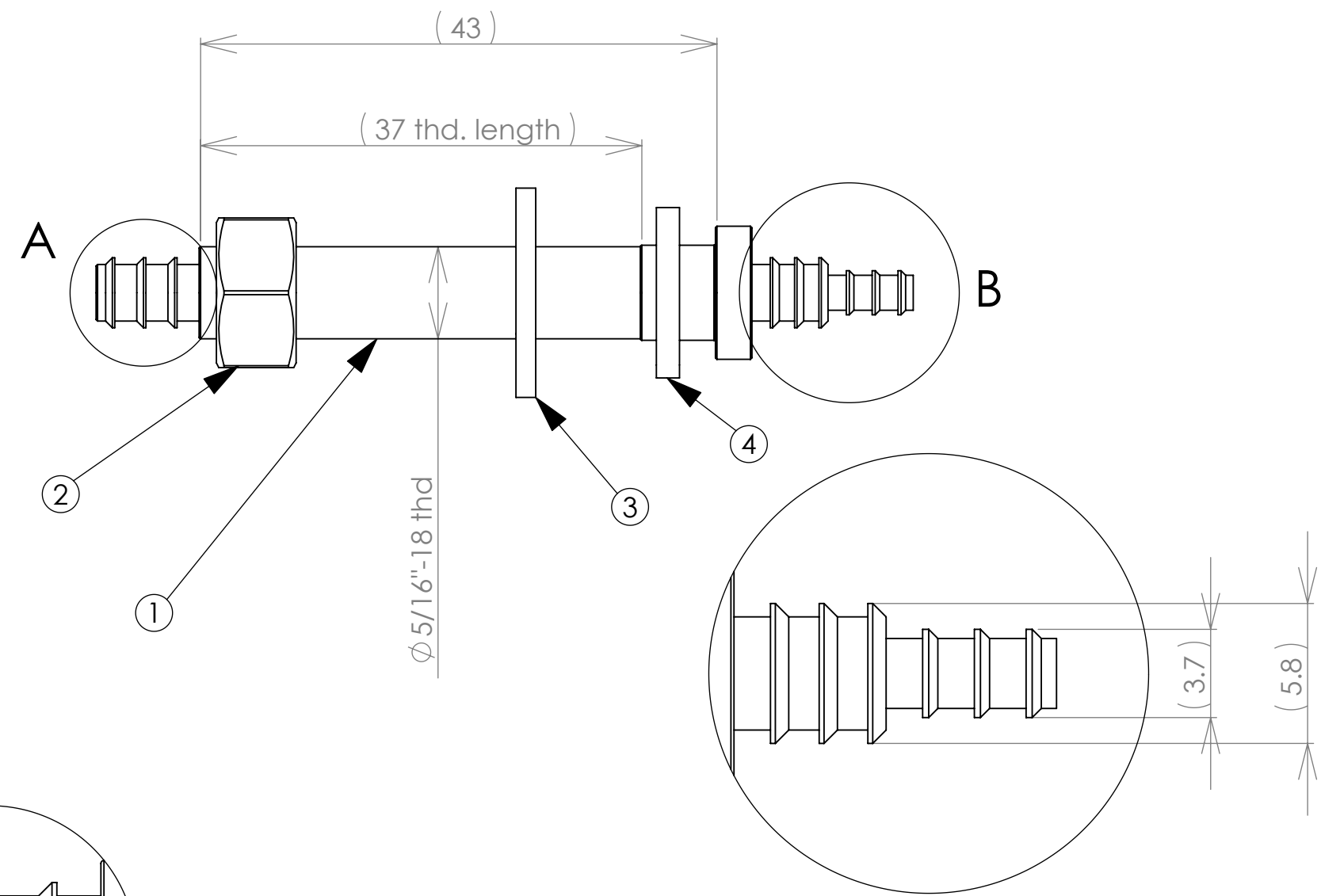


8 7 6 5 4 3 2 1

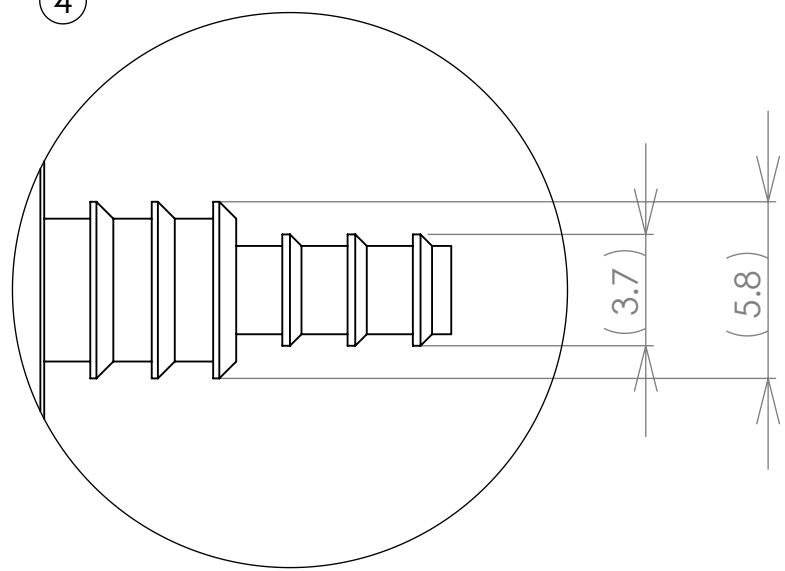
REV	DATE	DESCRIPTION
A	5-07-07	Release

Notes

1. Clamping length 1/4" - 1 1/2"
2. Hose size 1/8" ID small nipple, 3/16" ID large nipple



DETAIL A  
SCALE 4 : 1



DETAIL B  
SCALE 4 : 1

POS.	QTY.	PART NUMBER	DESCRIPTION
1	1	2002551	Bulkhead fitting
2	1	2002501	5/16"-18 hex nut
3	1	2002552	Washer
4	1	2002502	Gasket

UNLESS OTHERWISE SPECIFIED:  
 DIMENSIONS ARE IN MM  
 TOLERANCES PER ISO 2768-1  
 CLASS M  
 3rd ANGLE PROJECTION

INTERPRET GEOMETRIC  
 TOLERANCING PER: ISO 2768-1 M

MATERIAL  
**DNA**

FINISH  
**DNA**

APPLICATION

NAME	DATE
DRAWN MP	5-07-07
CHECKED MP	5-07-07
ENG APPR. MP	5-07-07

**WEXCO Industries**

TITLE:  
**Bulkhead fitting kit**

SIZE <b>B</b>	DWG. NO. 200255	REV A
------------------	--------------------	----------

SCALE: 2:1 WEIGHT: SHEET 1 OF 1

**PROPRIETARY AND CONFIDENTIAL**  
 THE INFORMATION CONTAINED IN THIS  
 DRAWING IS THE SOLE PROPERTY OF  
 WEXCO INDUSTRIES. ANY REPRODUCTION  
 IN PART OR AS A WHOLE  
 WITHOUT THE WRITTEN PERMISSION OF  
 WEXCO INDUSTRIES IS PROHIBITED.

8 7 6 5 4 3 2 1