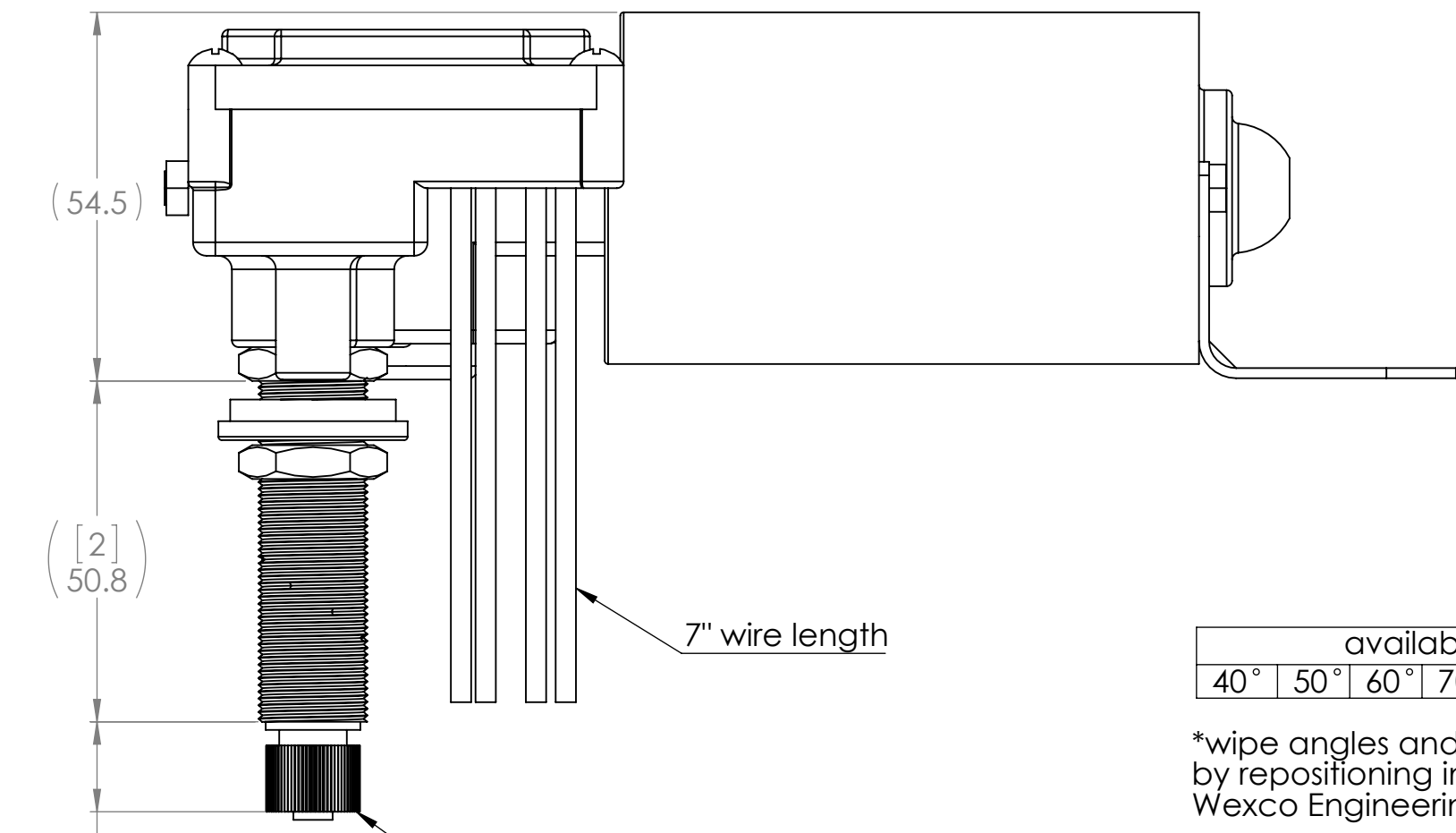


REV	DATE	ECR	DESCRIPTION
A	6-17-14		Initial Release



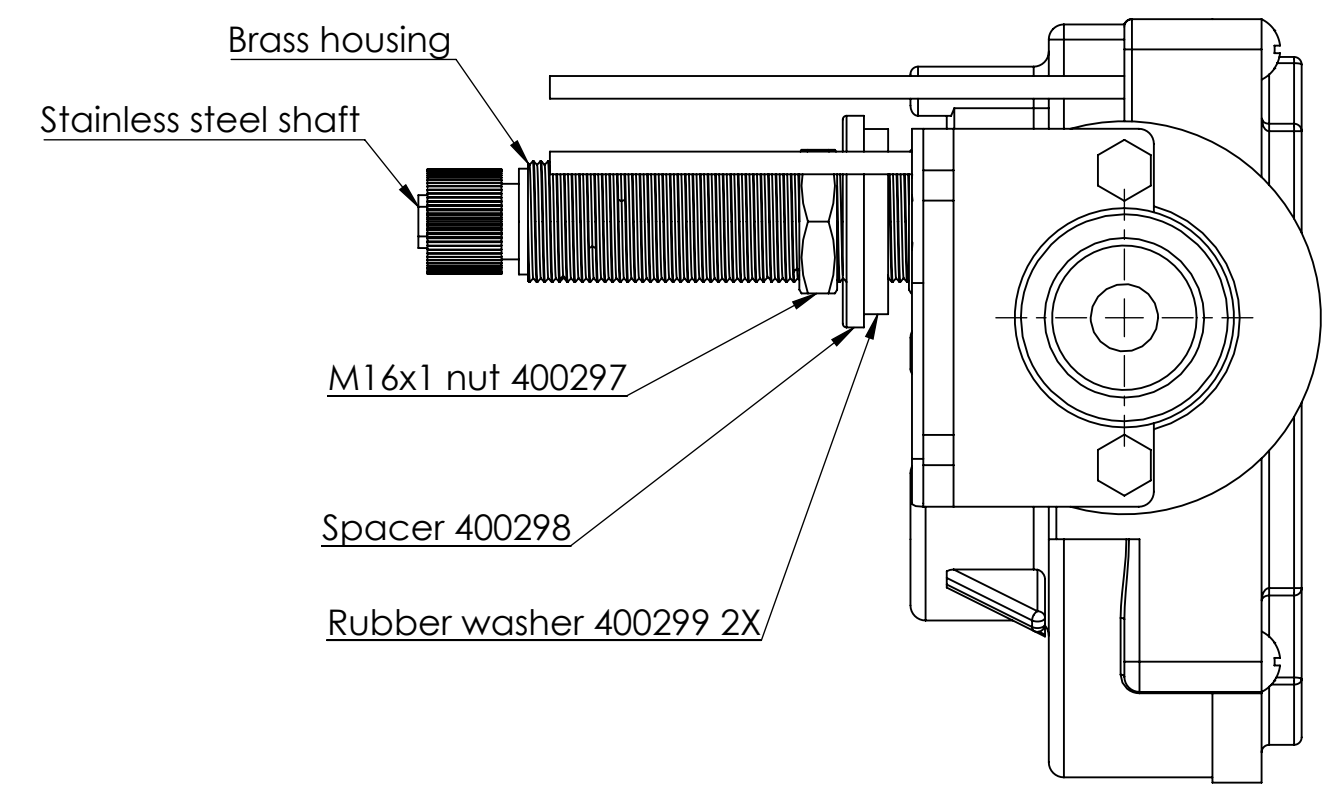
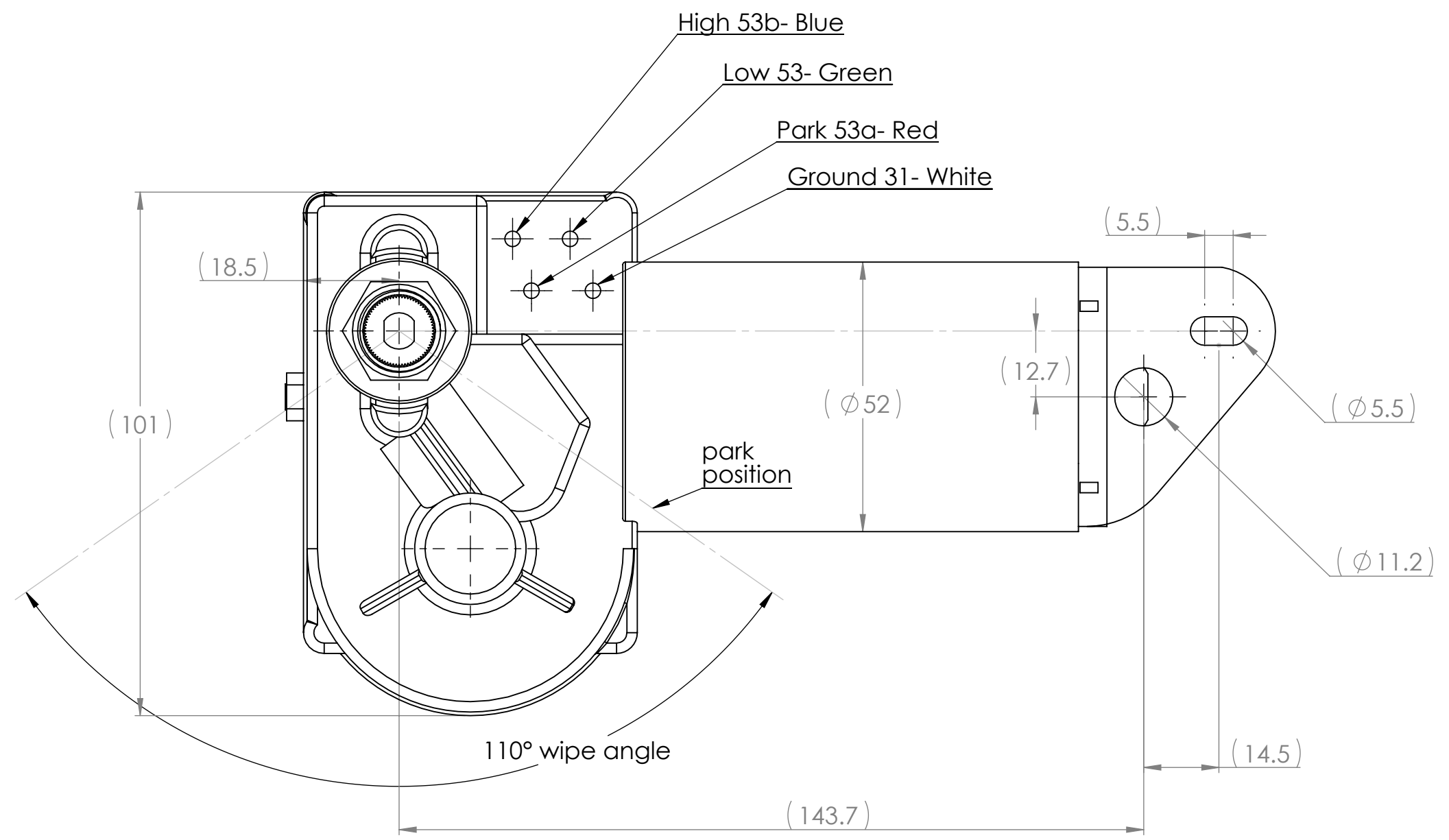
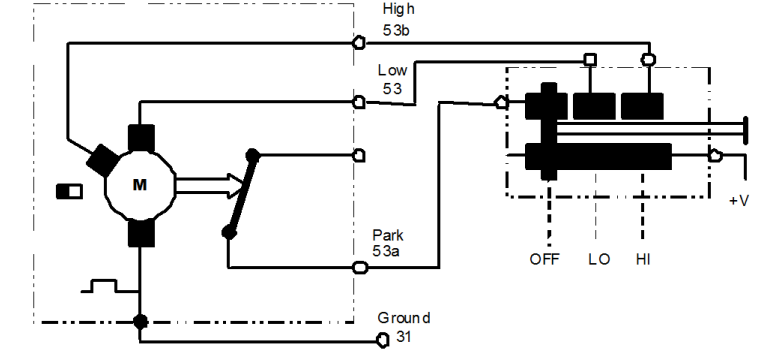
available wipe angles							
40°	50°	60°	70°	80°	90°	100°	110°

*wipe angles and park may be changed by repositioning internal linkage. contact Wexco Engineering

wipe angles	wiper arm length in inches						wiper blade length in inches
	12	14	16	18	20	22	
40°	26	26	26	26	26	21	
50°	26	26	26	24	22	20	
60°	24	24	21	18	17	16	
70°	25	24	21	18	16	15	
80°	23	20	17	15	13	12	
90°	22	19	17	15	13	12	
100°	21	18	16	14	13	12	
110°	20	17	15	13	12	11	

*Maximum arm/blade combinations for given wipe angle with 1.5 oz. arm tip force per inch of blade

Coast to Park Circuit Diagram



VIEW SCALE 1 : 1

12 volt 110° 2" shaft park CCW

Notes

1. stall torque: 14.7 Nm at gear shaft
2. motor supply voltage: 13.5 volts
3. speed no load: 41/59 \pm 10%
4. current no load warm: 2/3 amps
5. max stall current: 11.2 amps
6. fuse motor circuit at 12 amps min
7. hardware available as kit 400300
8. motor capable of additional wipe angles (see table)
9. motor capable of being parked both CW and CCW
10. motor can be grounded to chassis or ground wire
11. motor supplied with hardware shown
12. motor is CE certified

UNLESS OTHERWISE SPECIFIED:		NAME	DATE
DIMENSIONS ARE IN MM		DRAWN	JP 6-18-14
3rd ANGLE PROJECTION		CHECKED	JH 7-23-14
		ENG APPR.	JH 7-23-14
INTERPRET GEOMETRIC TOLERANCING PER: ISO 2768-1 M MATERIAL		COMMENTS:	
FINISH			
APPLICATION			



TITLE: Oscillating wiper motor		
SIZE C	DWG. NO. 4R2.12.R110CE	REV A
SCALE: 1:2	WEIGHT:	SHEET 1 OF 1

PROPRIETARY AND CONFIDENTIAL
THE INFORMATION CONTAINED IN THIS DRAWING IS THE SOLE PROPERTY OF WEXCO INDUSTRIES. ANY REPRODUCTION IN PART OR AS A WHOLE WITHOUT THE WRITTEN PERMISSION OF WEXCO INDUSTRIES IS PROHIBITED.